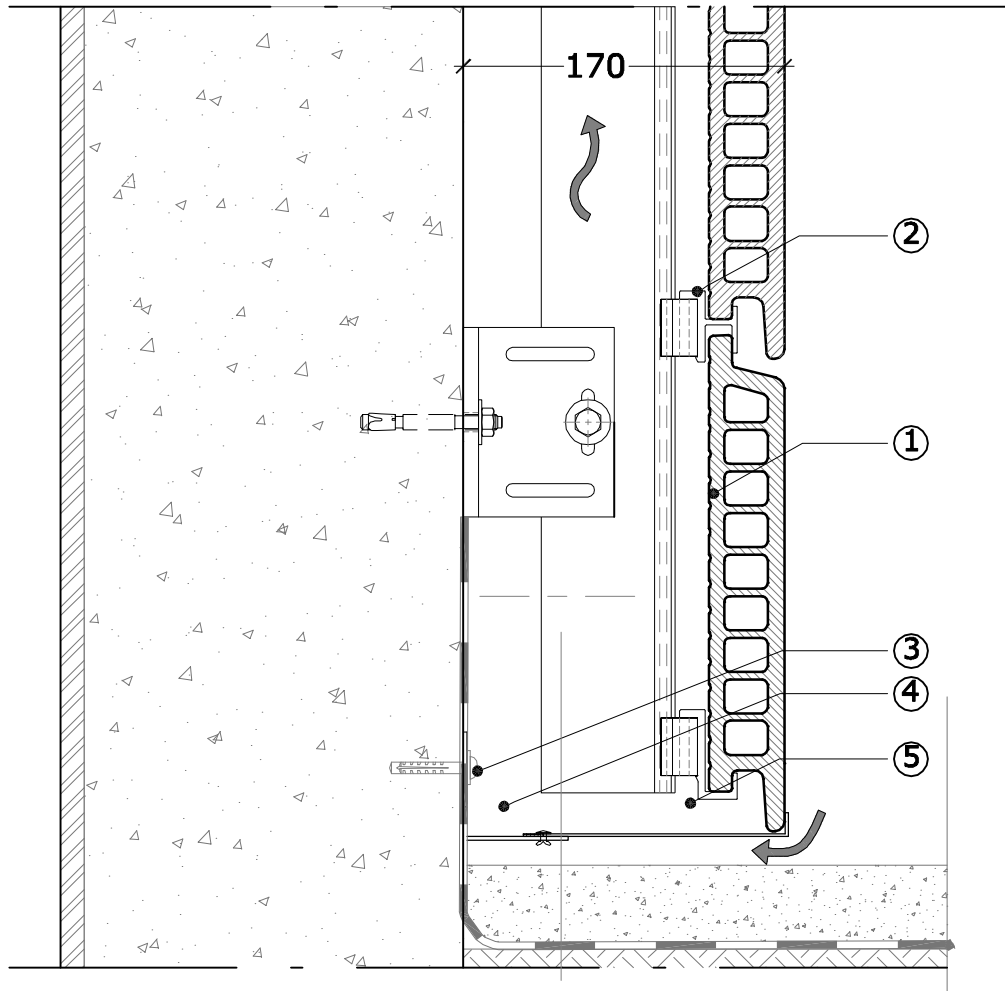


STARTING JOINT

Intrusion protection against small animal



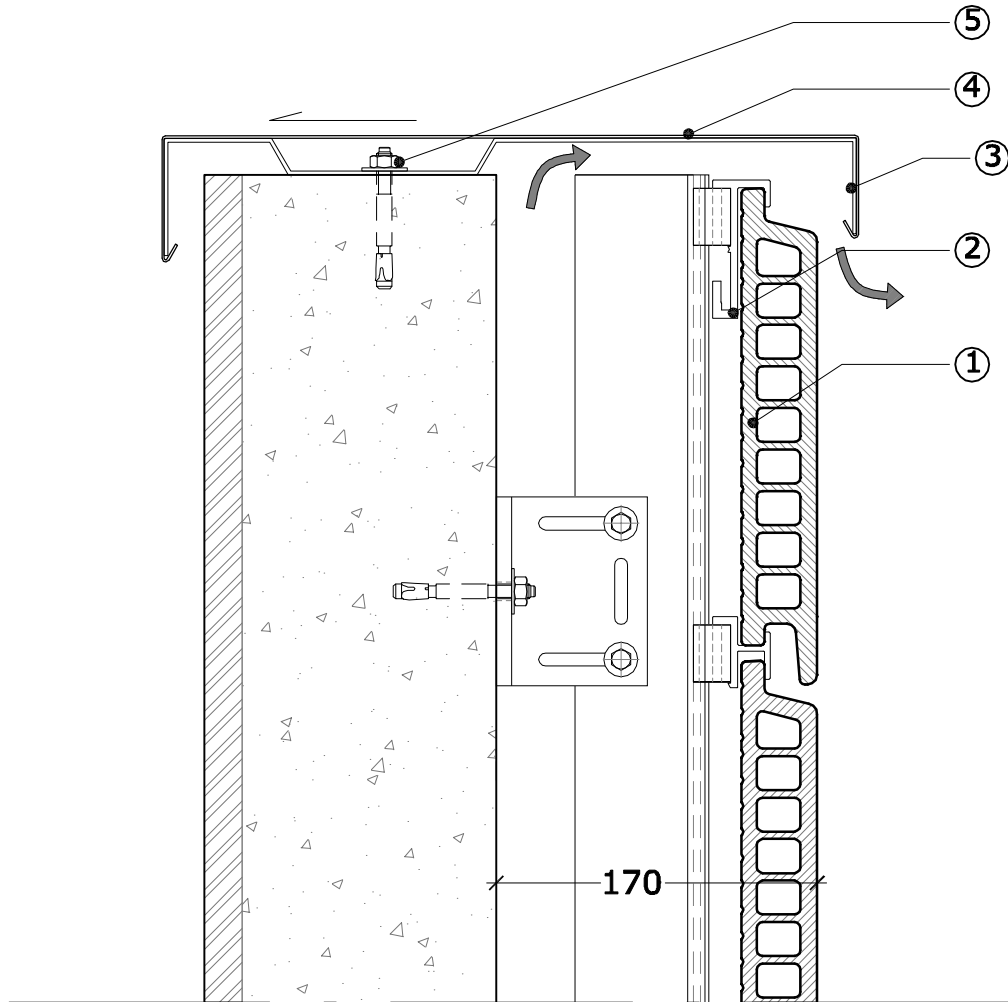
- ① Terra Modus tile
- ② Hook TM1
- ③ Fixing Nylon
- ④ Metal Flashing
- ⑤ Perforated Metal Flashing



Disegned by: DB	Rev.: R00	Date: 25/02/13	Units: mm	Size: A4	Wall cladding systems are protected by copyright. We refuse each responsibilities for the use of the informations in this document. Dimensions, thicknesses and positions of brackets and tracks are indicative, they must be checked for each design.
--------------------	--------------	-------------------	--------------	-------------	--

○ SUPERIOR JOINT

Rain and wind protection

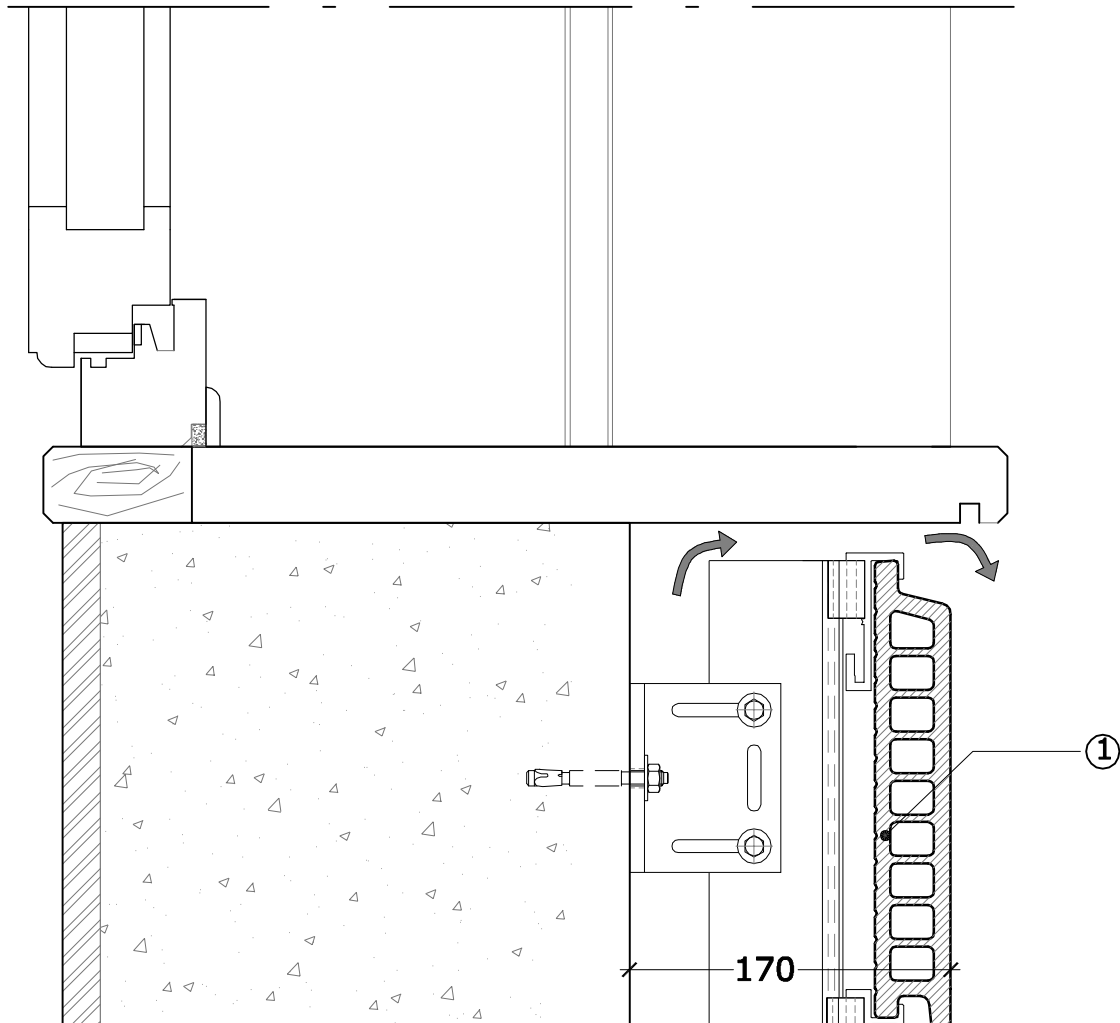


- ① Terra Modus tile
- ② Hook TF2
- ③ Metal Flashing Support
- ④ Metal Flashing
- ⑤ Mechanical Fixing



Disegned by: DB	Rev.: R00	Date: 25/02/13	Units: mm	Size: A4	Wall cladding systems are protected by copyright. We refuse each responsibilities for the use of the informations in this document. Dimensions, thicknesses and positions of brackets and tracks are indicative, they must be checked for each design.
--------------------	--------------	-------------------	--------------	-------------	--

○ WINDOWSILL JOINT 1

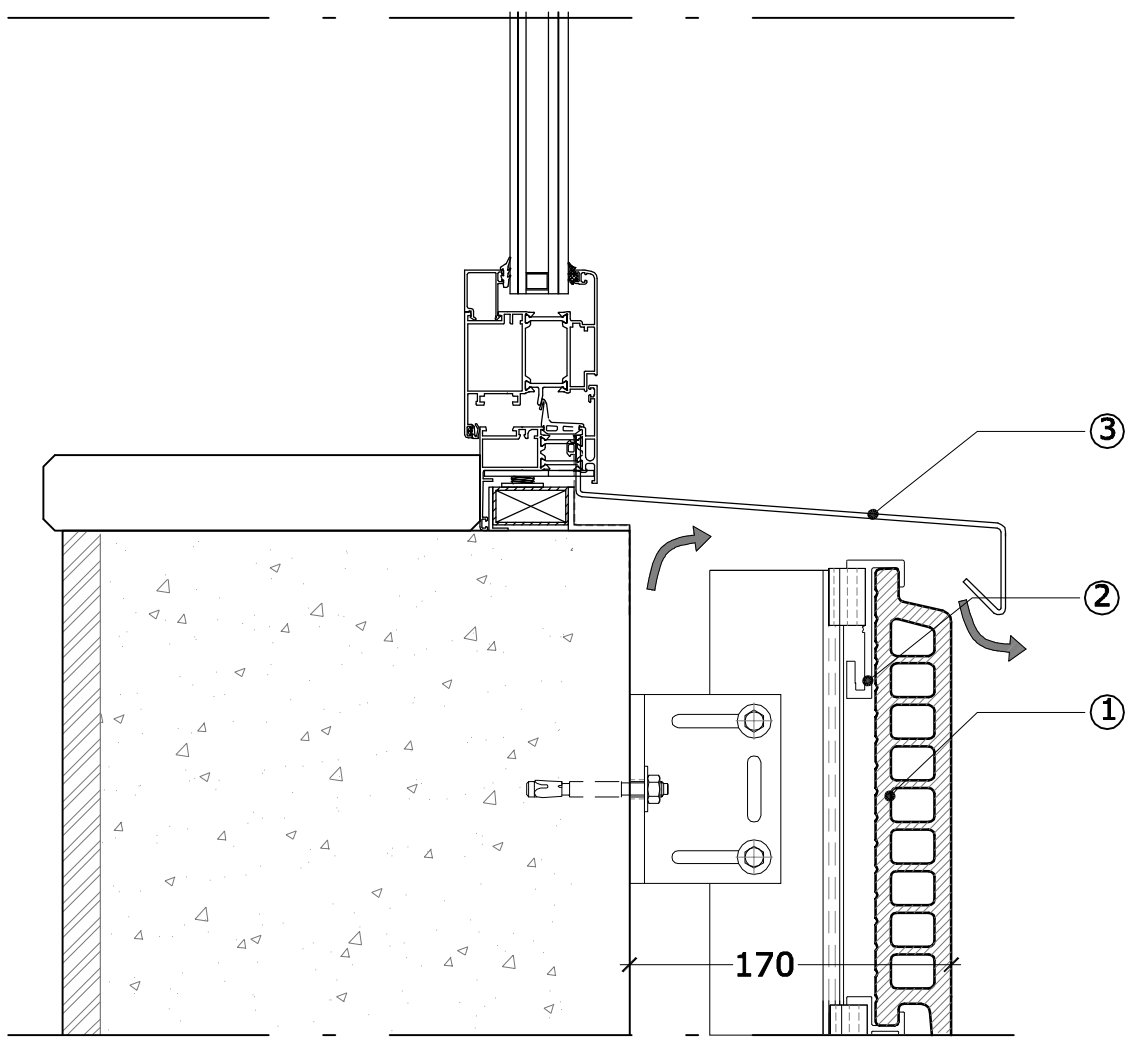


① Terra Modus tile



Designed by:	Rev.:	Date:	Units:	Size:	<i>Wall cladding systems are protected by copyright. We refuse each responsibilities for the use of the informations in this document. Dimensions, thicknesses and positions of brackets and tracks are indicative, they must be checked for each design.</i>
DB	R00	25/02/13	mm	A4	

○ WINDOWSILL JOINT 2

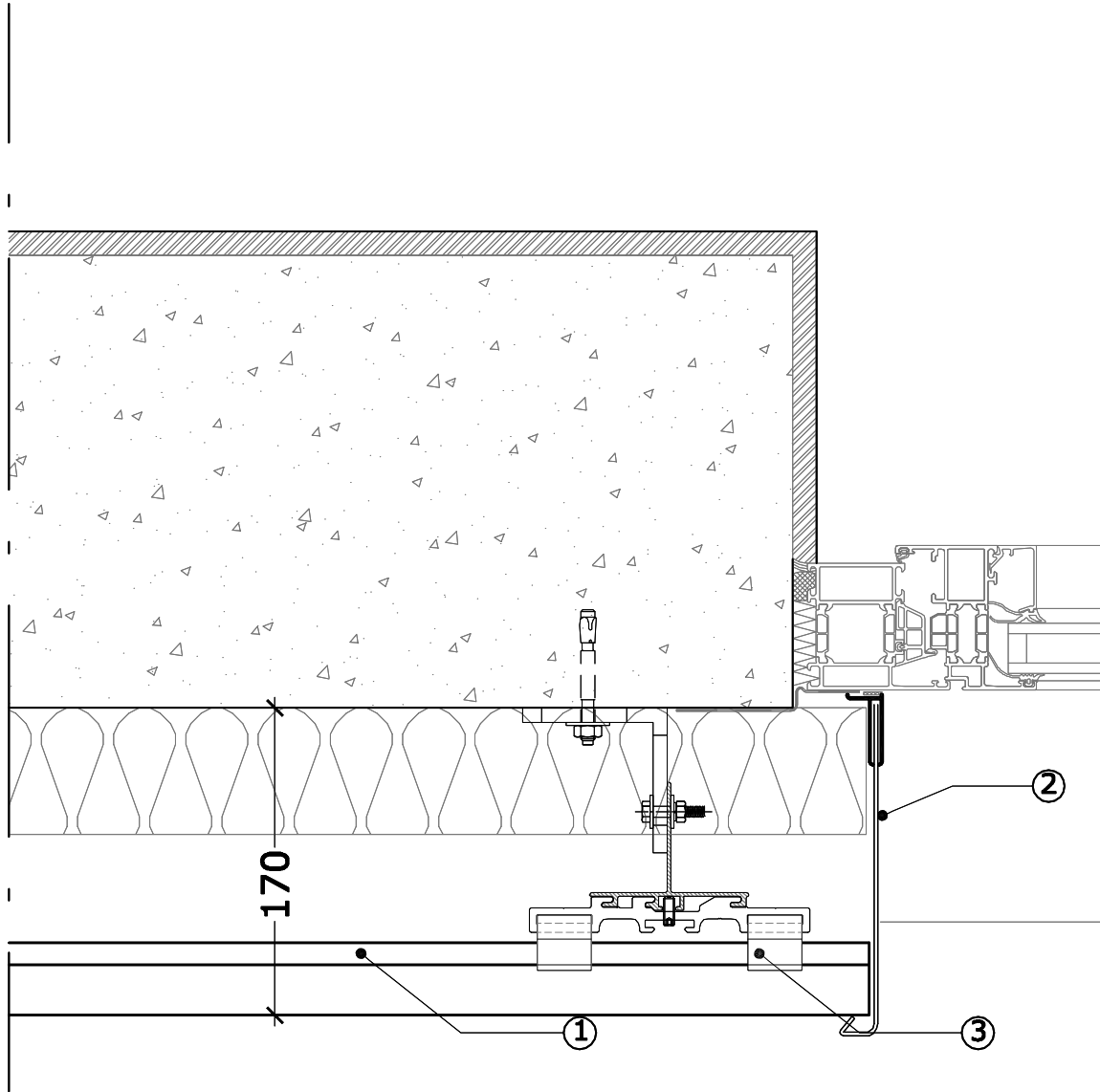


- ① Terra Modus tile
- ② Hook TF2
- ③ Metal Flashing



Disegned by: DB	Rev.: R00	Date: 25/02/13	Units: mm	Size: A4	<i>Wall cladding systems are protected by copyright. We refuse each responsibilities for the use of the informations in this document. Dimensions, thicknesses and positions of brackets and tracks are indicative, they must be checked for each design.</i>
--------------------	--------------	-------------------	--------------	-------------	---

LATERAL WINDOW JOINT 1

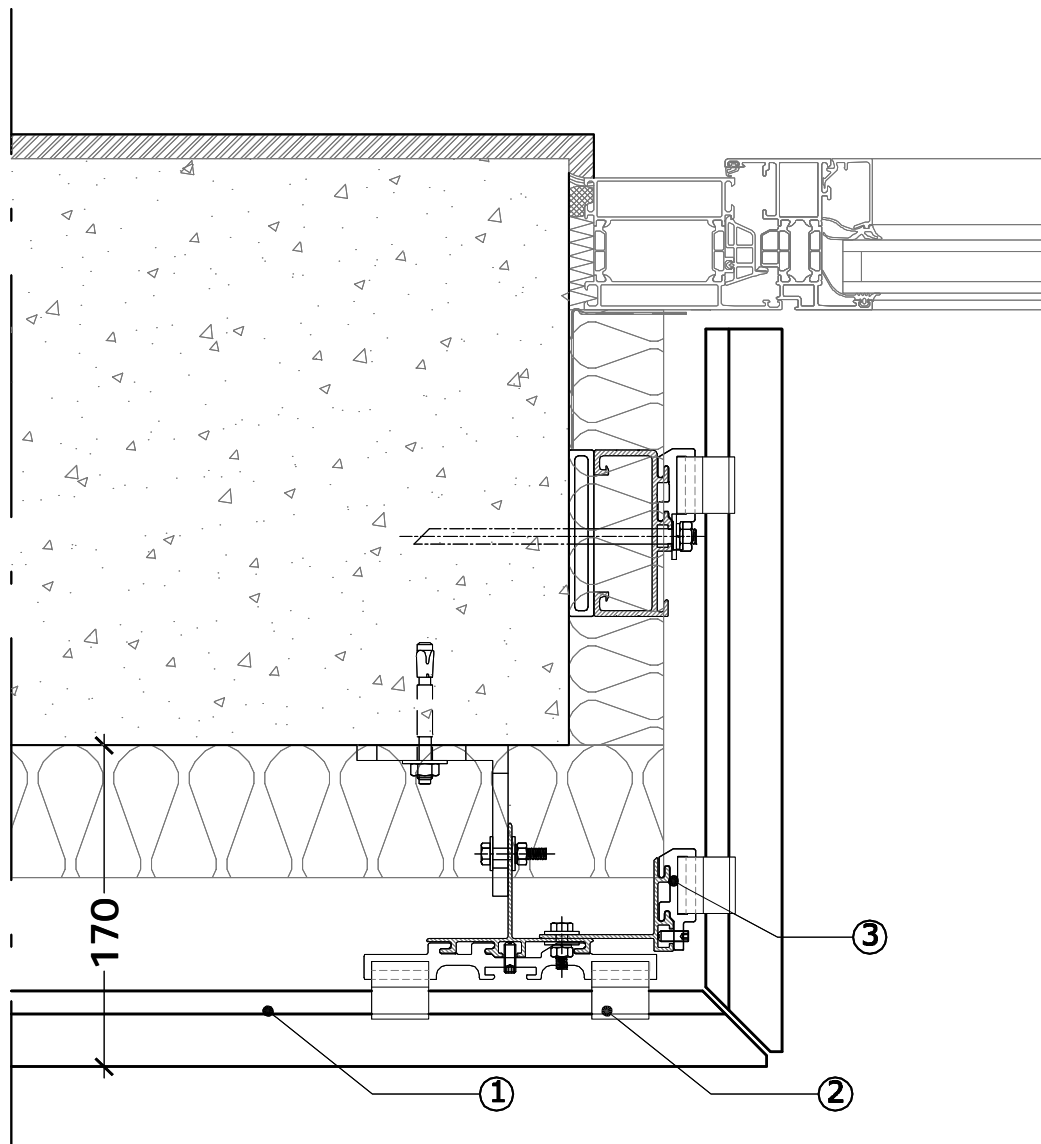


- ① Terra Modus tile
- ② Metal Flashing
- ③ Hook TM1



Designed by: DB	Rev.: R00	Date: 25/02/13	Units: mm	Size: A4	<i>Wall cladding systems are protected by copyright. We refuse each responsibilities for the use of the informations in this document. Dimensions, thicknesses and positions of brackets and tracks are indicative, they must be checked for each design.</i>
--------------------	--------------	-------------------	--------------	-------------	---

LATERAL WINDOW JOINT 2

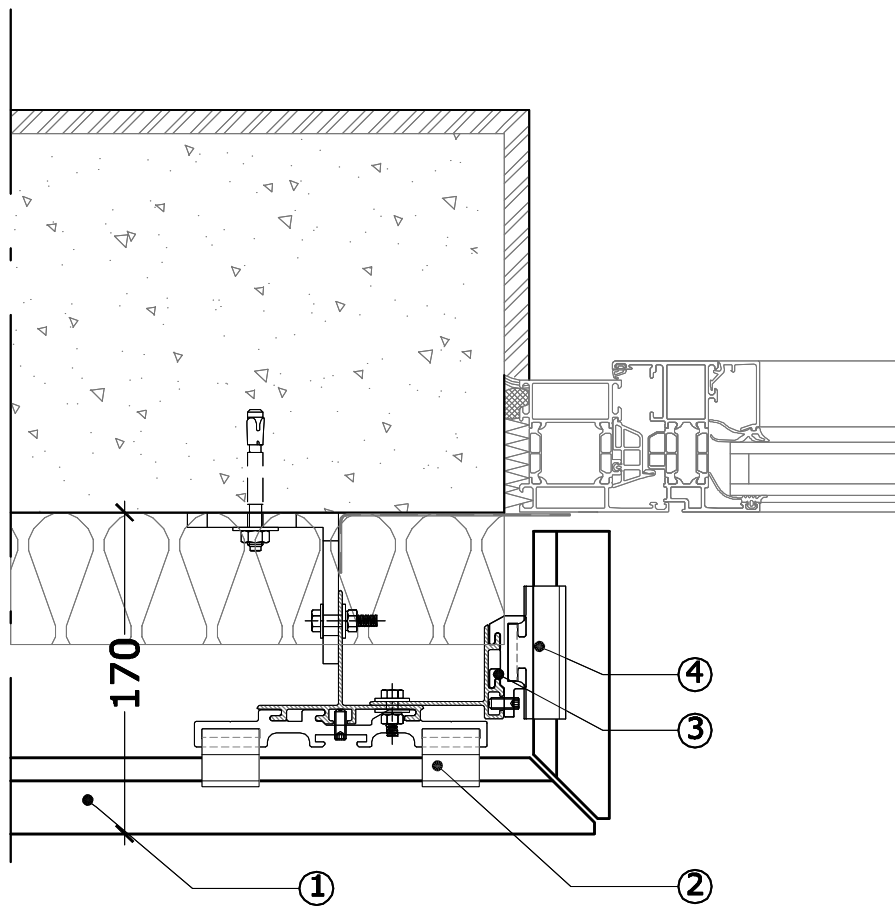


- ① Terra Modus tile
- ② Hook TM1
- ③ Support S02



Designed by: DB	Rev.: R00	Date: 25/02/13	Units: mm	Size: A4	<i>Wall cladding systems are protected by copyright. We refuse each responsibilities for the use of the informations in this document. Dimensions, thicknesses and positions of brackets and tracks are indicative, they must be checked for each design.</i>
--------------------	--------------	-------------------	--------------	-------------	---

LATERAL WINDOWS JOINT 3

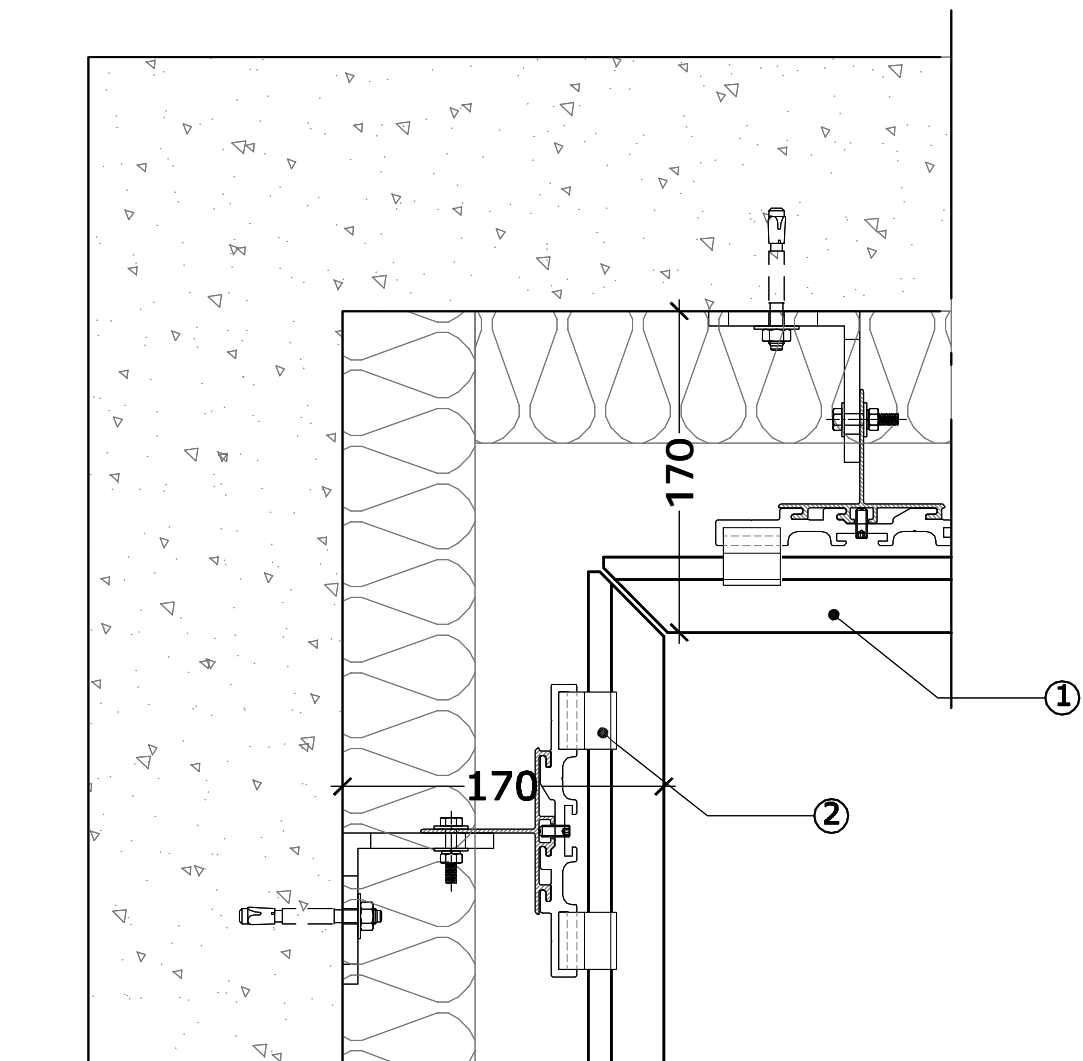


- ① Terra Modus tile
- ② Hook TM1
- ③ Support S02
- ④ Hook TM2



Disegned by: DB	Rev.: R00	Date: 25/02/13	Units: mm	Size: A4	<i>Wall cladding systems are protected by copyright. We refuse each responsibilities for the use of the informations in this document. Dimensions, thicknesses and positions of brackets and tracks are indicative, they must be checked for each design.</i>
--------------------	--------------	-------------------	--------------	-------------	---

CORNER JOINT 1



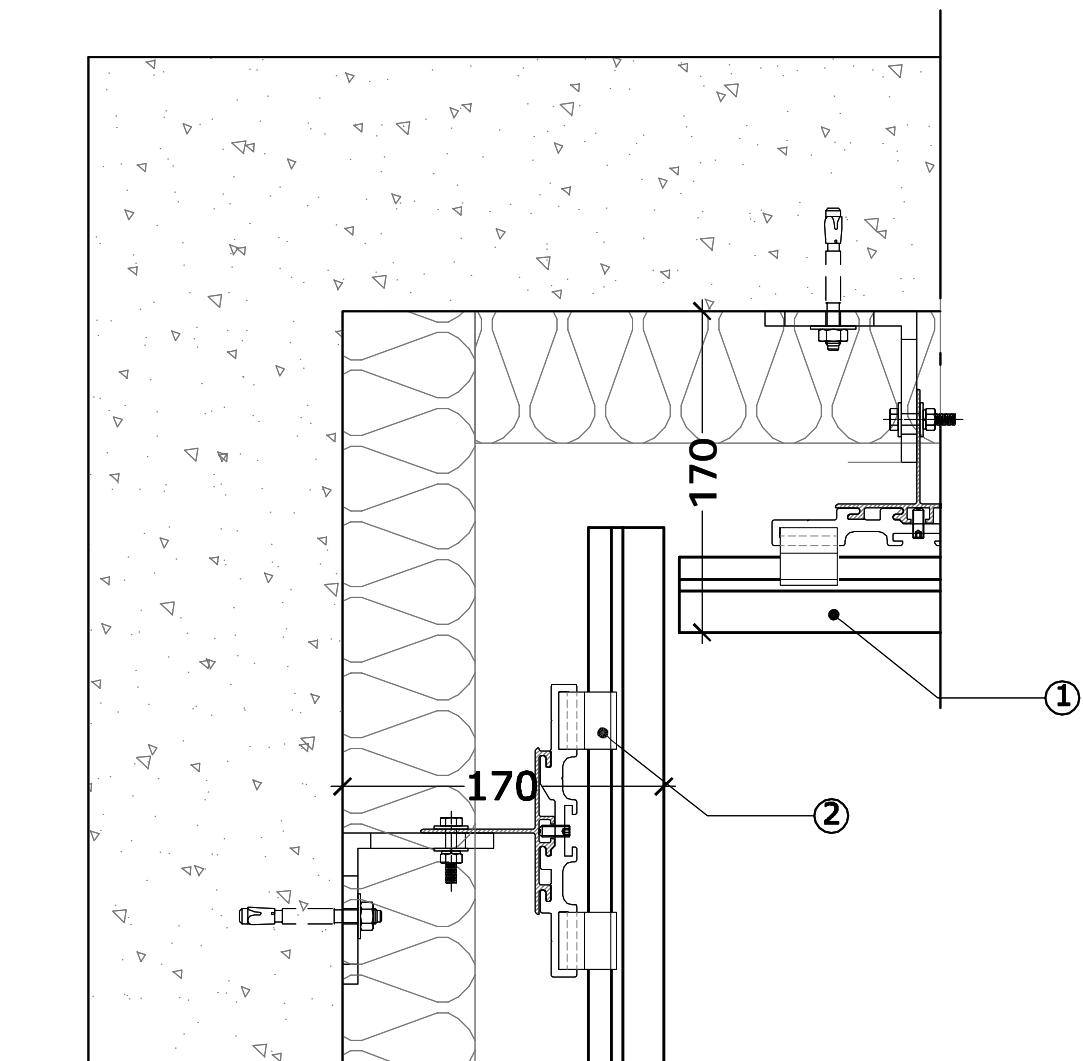
① Terra Modus tile

② Hook TM1



Designed by: DB	Rev.: R00	Date: 25/02/13	Units: mm	Size: A4	<i>Wall cladding systems are protected by copyright. We refuse each responsibilities for the use of the informations in this document. Dimensions, thicknesses and positions of brackets and tracks are indicative, they must be checked for each design.</i>
--------------------	--------------	-------------------	--------------	-------------	---

CORNER JOINT 2



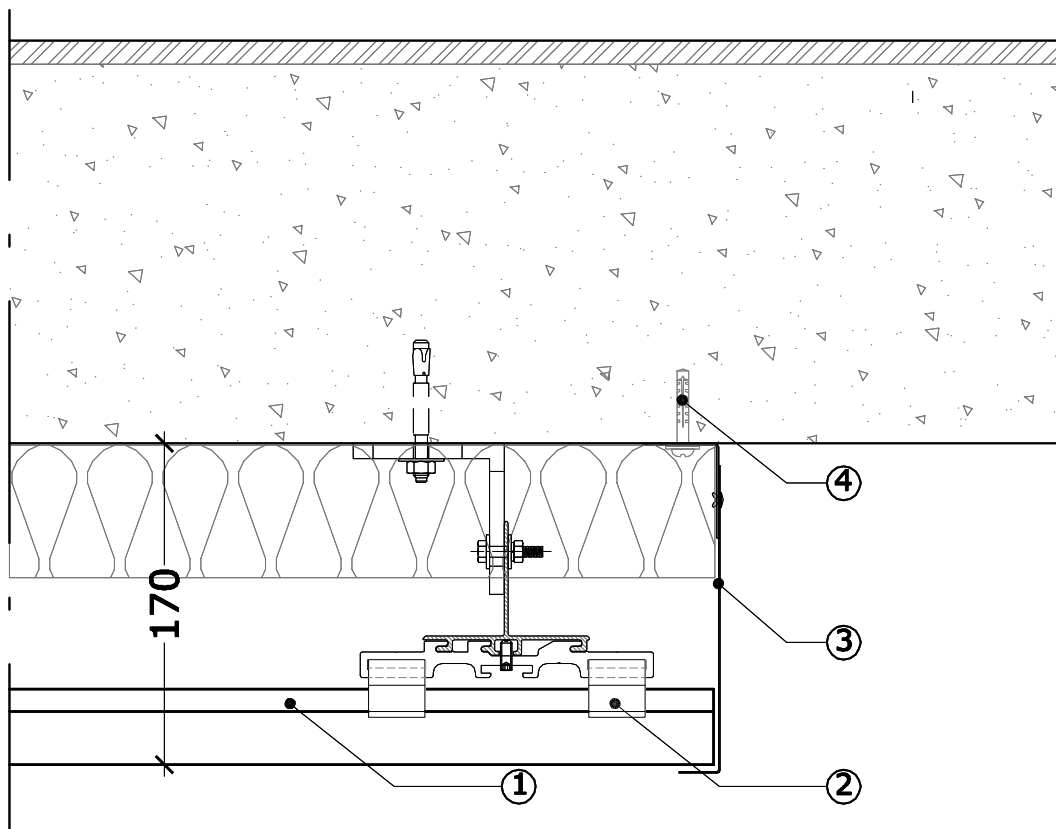
① Terra Modus tile

② Hook TM1



Designed by: DB	Rev.: R00	Date: 25/02/13	Units: mm	Size: A4	Wall cladding systems are protected by copyright. We refuse each responsibilities for the use of the informations in this document. Dimensions, thicknesses and positions of brackets and tracks are indicative, they must be checked for each design.
--------------------	--------------	-------------------	--------------	-------------	--

LATERAL JOINT



- ① Terra Modus tile
- ② Hook TM1
- ③ Metal Flashing
- ④ Fixing Nylon



Disegned by: DB	Rev.: R00	Date: 25/02/13	Units: mm	Size: A4	<i>Wall cladding systems are protected by copyright. We refuse each responsibilities for the use of the informations in this document. Dimensions, thicknesses and positions of brackets and tracks are indicative, they must be checked for each design.</i>
--------------------	--------------	-------------------	--------------	-------------	---