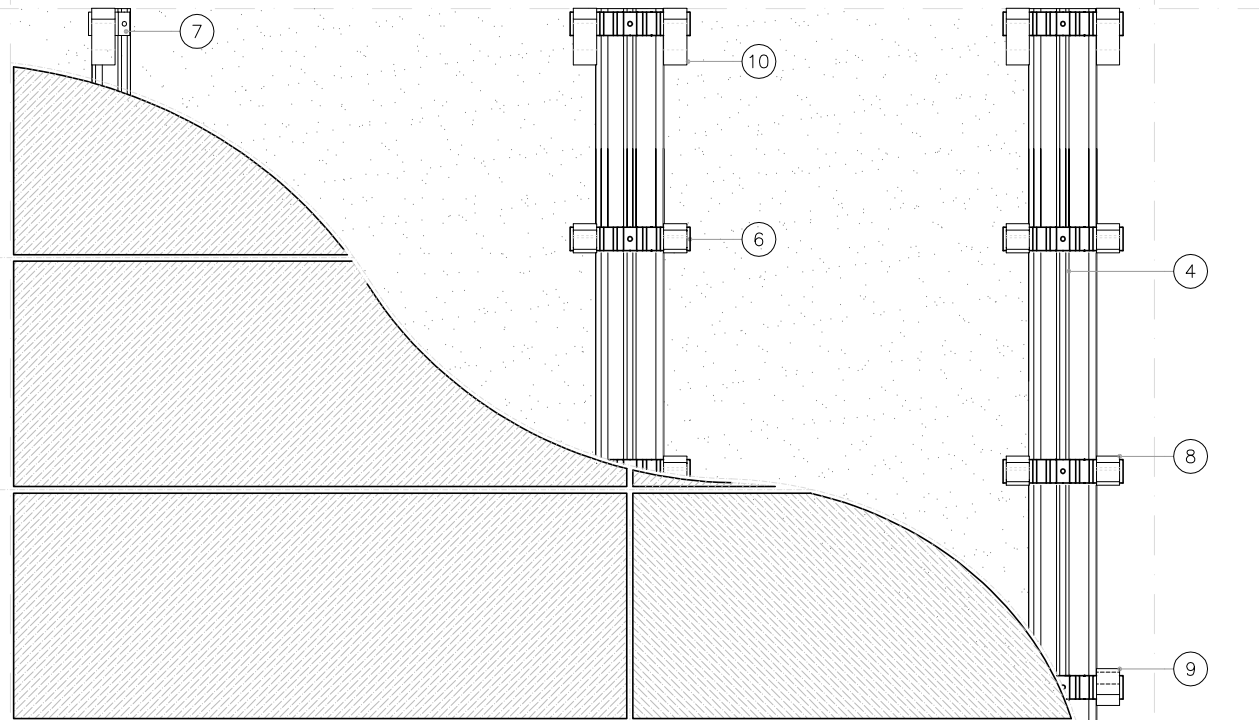




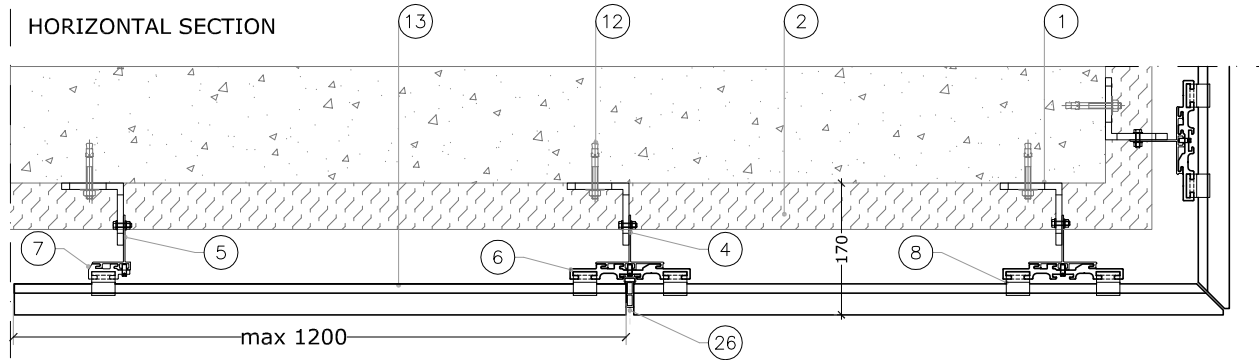
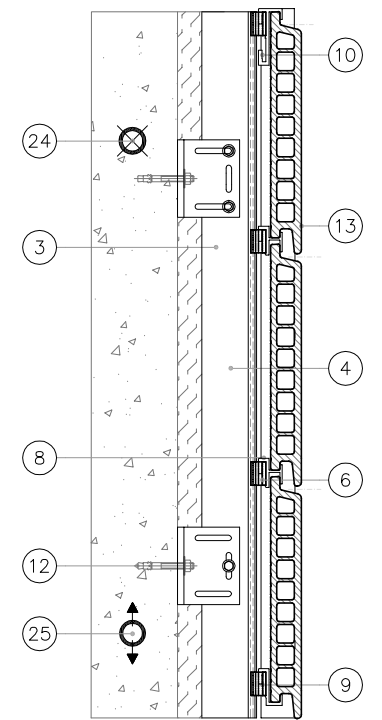
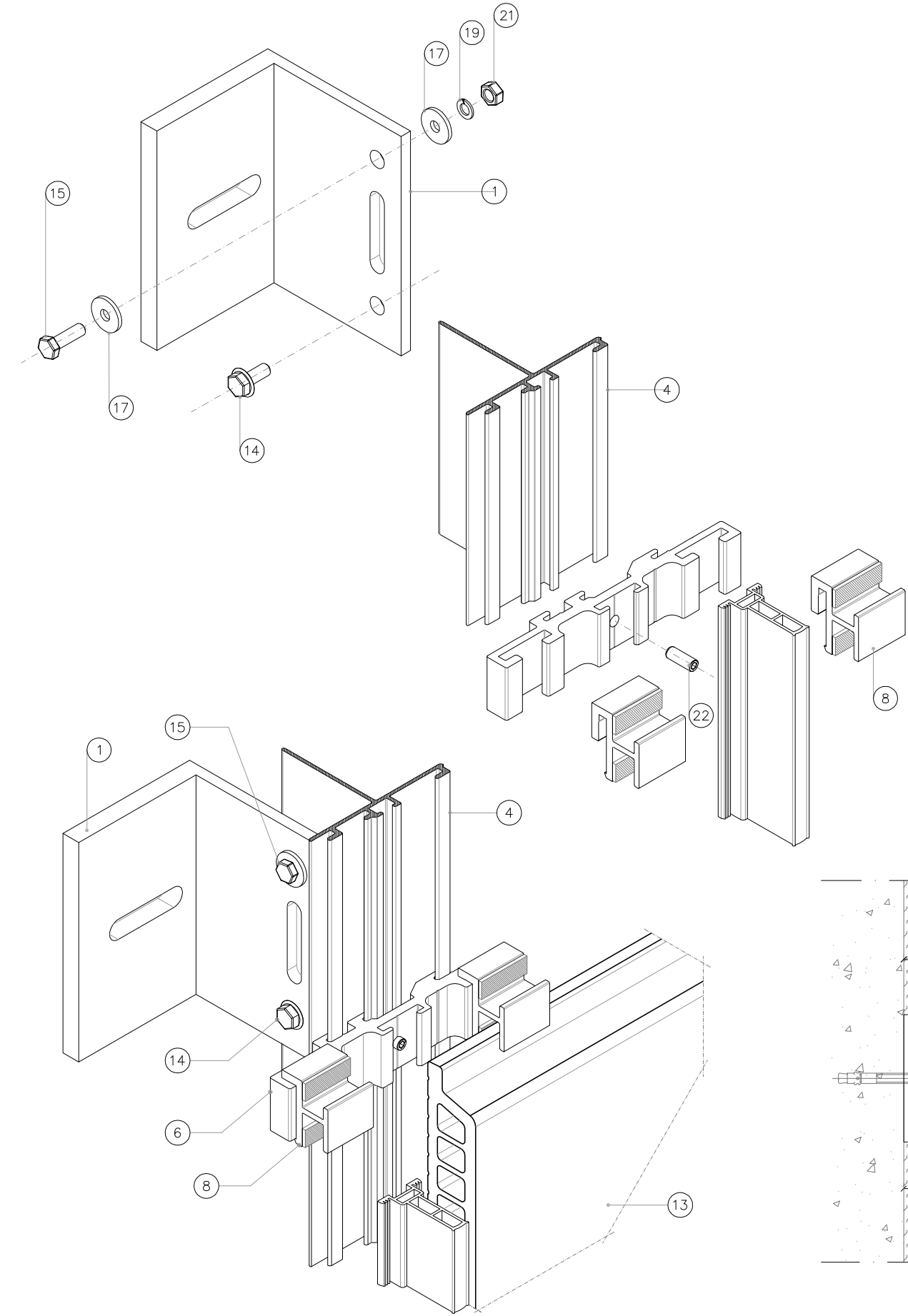
TerraMODUS 300 System L (gap 170mm)

ESPLODED STRUCTURE

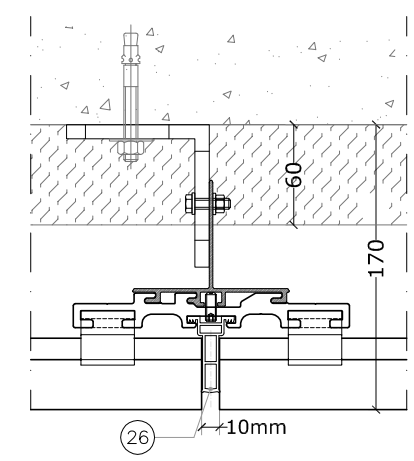
VERTICAL SECTION



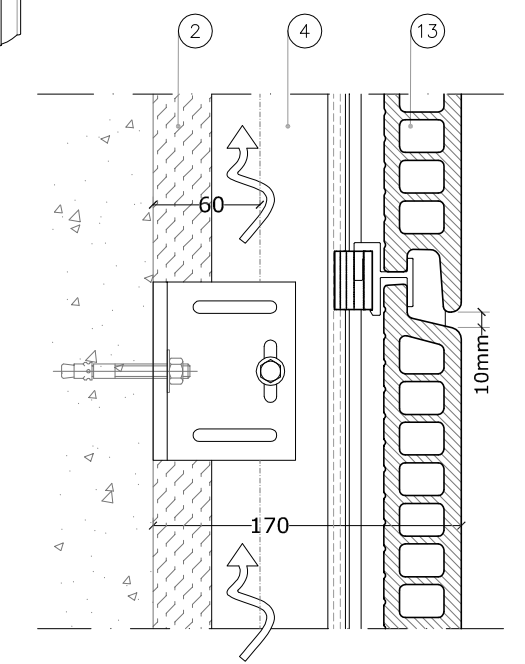
FRONT VIEW



HORIZONTAL SECTION



- | | |
|--|---------------------------------|
| ① Bracket L aluminium alloy 6005 A | ⑭ Screw self-drilled TE 6,3x25 |
| ② Insulating material | ⑮ Screw M6x30 DIN 933 Inox A2 |
| ③ Ventilation chamber | ⑯ Washer 8x16 DIN 125 A Inox A2 |
| ④ Vertical Track VT3 aluminium alloy 6063 T6 | ⑰ Washer 6x18 DIN 9021 Inox A2 |
| ⑤ Vertical Track VT4 aluminium alloy 6063 T6 | ⑱ Grower M8 DIN 127 B Inox A2 |
| ⑥ Support S01 aluminium alloy 6005 A | ⑲ Grower M6 DIN 127 B Inox A2 |
| ⑦ Support S02 aluminium alloy 6005 A | ⑳ Nut M8 DIN 934 Inox A2 |
| ⑧ Clip TM1 aluminium alloy 6005 A | ㉑ Nut M6 DIN 934 Inox A2 |
| ⑨ Clip TF1 aluminium alloy 6005 A | ㉒ Screw DIN 916 6x16 Inox A2 |
| ⑩ Clip TF2 aluminium alloy 6005 A | ㉓ Thick Neoprene |
| ⑪ Bracket L10 aluminium alloy 6005 A | ㉔ Fixed point symbol |
| ⑫ Mechanical Fixing | ㉕ Free point symbol |
| ⑬ Tile TerraModus 300 | ㉖ EPDM Stripe G01 |



This drawing is the exclusive property of Palagio Engineering s.r.l. Reproduction in any form is strictly prohibited